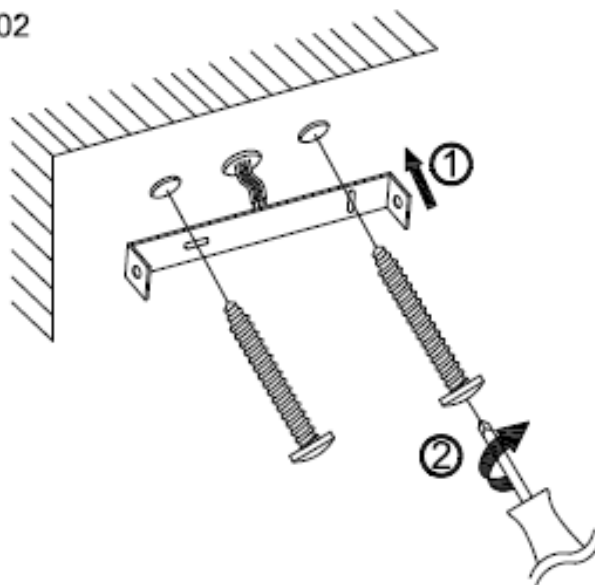


5062 5063 5064 Installation Drawing (Suitable for 5062 5063 5064)

01



02



03

